

BVO403F-X

700TVL IR Dome Camera

Product Overview

BVO403F-X IR Dome Camera utilizes 1/3" Sony Super HAD II CCD and the latest Digital Signal Processing (DSP) technology to deliver a horizontal resolution of 700 TVL. It features built-in OSD and UTC (up-the-coax) control, conch shaped exterior, compact and lightweight design, easy installation, and a high price-performance ratio. UTC control technology enables control of the OSD menu via a coaxial cable with the use of a remote controller, which makes it easier and more convenient to set a camera after installation. This camera contains 30 high brightness infrared LED with an effective range of up to 25 meters.

BVO403F-X is a professional camera suitable for use in offices, factories, warehouses, restaurants, shopping malls, hotels, and retail stores.

Infrared Technology

A human eye can only detect wavelengths within the visible spectrum, which is only a small portion of the electromagnetic spectrum. Visible colors ranging from the longest to shortest are red, orange, yellow, green, blue, and violet. Colors with a longer wavelength than red are known as infrared radiation, and colors with a shorter wavelength than violet are known as ultraviolet radiation. Infrared bounces off objects in darkness and enters a special lens which is then generated into an image. This enables images to be captured in dark settings where the surroundings are not visible to humans.

Automatic White Balance

Colors are affected by different lighting sources and appear differently under sunlight due to the change in color temperature. Human eyes have the ability of adapting to the change in color temperature, but cameras often have difficulty adjusting so that what appears white to humans may not be rendered correctly in an image resulting in color deviation. Bavono cameras feature an automatic white balance function with a manual option which enables colors to be rendered correctly regardless of lighting source to eliminate the need to reset colors subsequently.

Digital Noise Reduction

DSP (Digital Signal Processing) cameras utilize special digital noise reduction algorithms to significantly eliminate signal disturbances and color noise. As a result, motion trails are minimized to deliver high quality images.

Absolute Color Accuracy

Bavono cameras utilize High Resolution Imaging to deliver more realistic colors and contrast enhancement.

Electronic Shutter

Electronic Shutter ensures clarity of objects in high speed motion. Shutter speed is directly proportional to image quality.

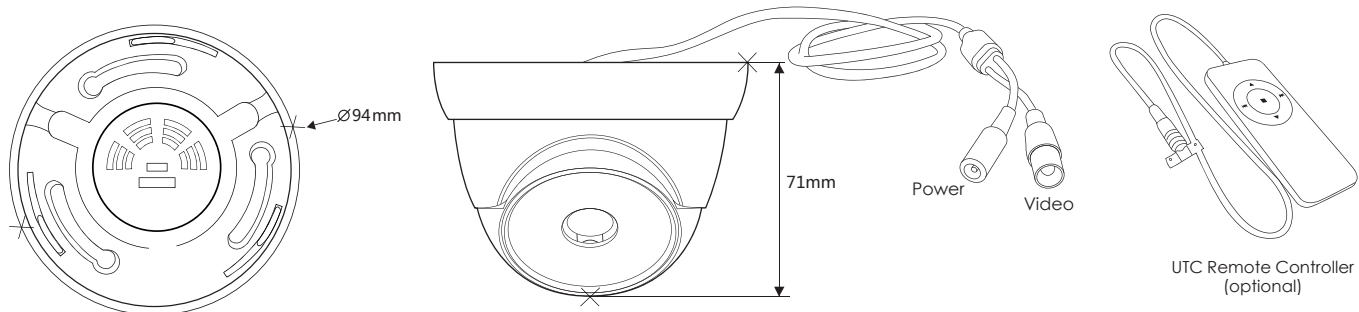
Features

- ▶ 1/3" Sony Super HAD CCD II
- ▶ 700 TVL (Color) / 800 TVL (B/W) of Horizontal Resolution
- ▶ Minimum Illumination of 0.05 Lux at F1.2 and 0 Lux with IR On
- ▶ 30 IR LEDs
- ▶ IR LED Effective Range Reaches Up to 25 Meters
- ▶ UTC (up-the-coax) technology for remote OSD configuration (compatible UTC controller is required)
- ▶ The defog function enhances picture clarity during conditions such as rain, fog, and haze
- ▶ Digital Wide Dynamic Range
- ▶ 8 Zones Privacy Masking Function
- ▶ Digital Noise Reduction for Reducing HDD Capacity
- ▶ Power Supply: DC 12V



1/3" SONY Super HAD CCD II	700 TVL (Color) / 800 TVL (B/W)	0.05Lux / F1.2	25 m	D-WDR	OSD	UTC	Defog
Image Sensor	Resolution	Min. illumination	IR LED Range	Wide Dynamic Range	Menu	OSD Control	Advanced

Dimensions



Specifications

Model	BVO403F-X
Video Standard	NTSC / PAL
Image Sensor	1/3" Sony Super-HAD II CCD
Total Picture Elements	1020(H) X 508(V) / 1020(H) X 596(V)
Effective Picture Elements	976(H) X 494(V) / 976(H) X 582(V)
Synchronizing System	Internal, AC Line Lock
Horizontal Resolution	Color: More than 700 TVL B/W: More than 800 TVL
Minimum Illumination	Color: 0.05 Lux@F1.2(50IRE) / 0.06 Lux(15IRE) B/W: 0.01Lux@F1.2(50IRE) / 0.006 Lux(15IRE)
IR LED	30 Units
IR LED Effective Range	Up to 25 Meters
Video S/N Ratio	52dB
OSD Language	English / Simplified Chinese / Traditional Chinese
Day / Night Mode	Auto / Day / Night / Ext / CDS
Highlight Compensation (HLC)	Low / Middle / High
High Speed Shutter	Indoor Outdoor (1/60(1/50) ~ 1/120Ksec)
Flickerless Mode	OFF / ON
WDR	AUTO / MANUAL (Low / Middle / High)
Auto Gain Control (AGC)	Level Setting
ALC (Auto Level Control)	AI Lens (DC)
Defog	AUTO / MANUAL (Low / Middle / High)
Digital Noise Reduction (DNR)	Off / Low / Middle / High (Adaptive 2D)
Gamma	0.35 ~ 0.70
White Balance	ATW / Push / Manual
Camera No. / ID	Off / On (Max. 255 NO, 8ea ID/1Line)
Motion Detection	4 zones (On/Off, Position, Sensitivity)
Privacy Masking	8 zones (On/Off, Color, Position)
Lens	3.6 mm
Video Output	VBS 1.0V p-p (75ohm Terminated)
Power Input	DC12V ± 10%
Power Consumption	Less than 1.2W
Operating Temperature	-10°C ~ +50°C
Operating Humidity	Less than 90%
Shell Material	Plastic
Shell Color	White / Black
Dimension (mm)	94(Ø) X 71 (H)
Gross Weight (g)	225

Applications



Offices



Restaurant Chains



Shopping Malls



Warehouses



Hotels



Retail Stores